

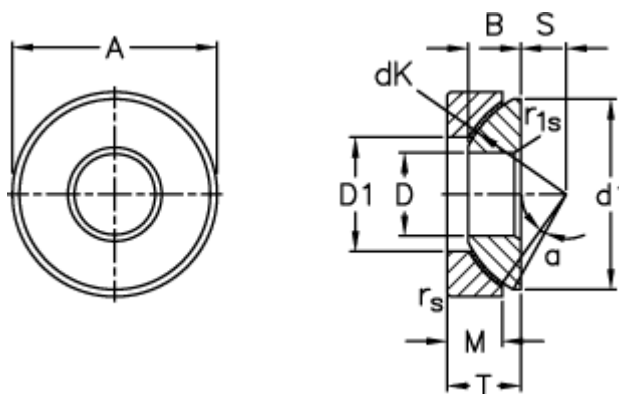
# Data Sheet



Article number: 03512140

Description: Fluro Rod end GE 140AW

## Measures



A	= 260 0 -0,035	rs, r1s min	= 1.5
B	= 61	S	= 52.5
D	= 140 0 -0,025	Static axial load C0 (kN)	= 6500
d1 max	= 243	T	= 72 +0,25 -0,70
D1 min	= 177	Tilt angle	= 3
dK	= 274	Weight	= 18100
Dynamic axial load C (kN)	= 3250		
M	= 54		